



Technical comercial data

N-1.2 T.N-1.2

Serie NOVA – Versión 21-02-2024

TECHNICAL DATA:

Material: PP copolymer of first quality, suitable for contact with food according to current regulations.

Colours: White standard. Consult for other colours.

Useful Volume: 1.20 litres

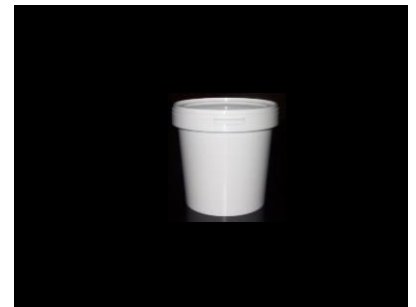
Volume to the edge: 1.35 litres

Weight of the tub: 72 g. approx.

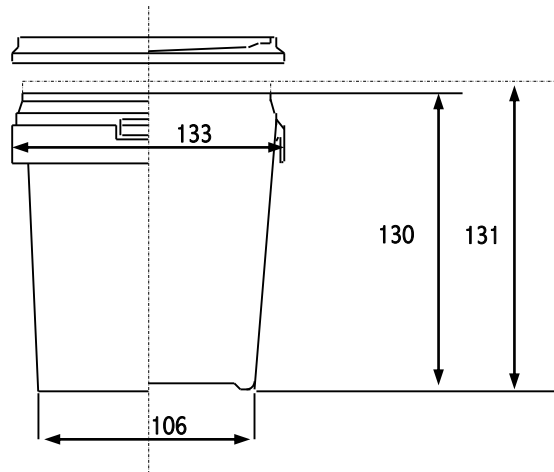
Weight of the lid: 14 g. approx.

Total Weight: 86 g. approx.

Design surface photographic finish 95 x 363 mm (height x perimeter)



MEASUREMENTS:



Measurements in millimetres

GROUPING OF TRANSPORT:

Tubs: 4.000 tubs per pallet
200 tubs per box, this serves as a packaging of transportation

Box dimension: 420 x 290 x 820

Pallet dimensions: 1250 x 1130 x 1800 (see drawing)

Lids: 500 per box, this serves as a packaging of transportation

Box dimension: 290 x 235 x 685

